

Atlas Copco



# The mobile QES generators


Non regulated markets

# The mobile QES generators

Specifically developed for construction, retail and general rental industries, the QES range is easy to use and straightforward to maintain. It's the practical predictable power choice –even for the most demanding worksites.

The corrosion treated, water-proof canopy, along with the ability to work at high and low ambient temperatures makes the QES range a great choice. With a full option list you could ever need and ready operate in just a few seconds, this range is ready to move from one job to another, one application to another.



 **AMBIENT TEMPERATURE UP TO 50°C**


 **WATER-PROOF CANOPY**

 **STABLE POWER**  
**<10 SECONDS**

**100% LOAD STEP CAPABILITY** 

 **2 LEVELS**  
(<50kVA MODELS)

**SERVICE INTERVAL (HRS)**  
**500** 

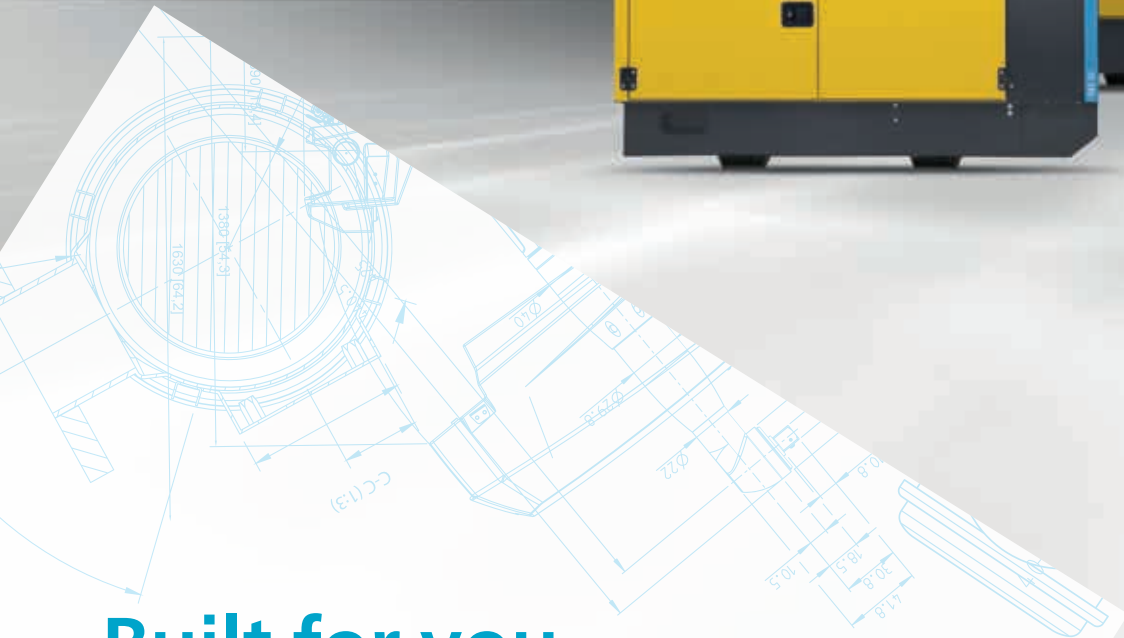
**PLUG & PLAY INSTALLATION**  


 **DOCUMENTED AND GUARANTEED RESULTS**

 **<2 Hrs SERVICE**

Data may change depending on model.

*Atlas Copco*



## Built for you

The QES range has been designed with the customer in mind.  
It's easy to move, operate and service.

# QES range

## INTEGRATED CONTROL AND POWER CUBICLE:

- Qc1112 digital controller for local and remote start
- 4 Pole breaker & battery charger<sup>(1)</sup>
- Emergency stop
- Dedicated socket compartment<sup>(1)</sup>



	QES 30-40	QES 60-250	QES 380-640
Standard Controller	Qc1112	Qc1112	Qc1112
Optional AMF controller	Qc2212	Qc2212	Qc2212
Single phase socket	1	1	-
CEE 230V2P+G 16A	-	-	1
CEE 400V3P+N+G 16A	1	1	1
CEE 400V3P+N+G 32A	-	1	1
CEE 400V3P+N+G 63A	1	1	1
CEE 400V3P+N+G 125A	-	-	2

## SUPERIOR ACCESSIBILITY:

- Optimal serviceability through big access doors and panels
- Access to alternator (AVR and diode bridge)
- Full access to engine
- Direct radiator cleaning access panel

## PLUG AND PLAY CONNECTION:

- Plug and play cable connection
- Pass through cable path, natural bend and strain relief
- Rain cap
- Hot parts, fan and belt protection<sup>(1)</sup>

## SERVICE EFFICIENCY:

- Decreased service downtime due to heavy duty fuel filtration system with water separator<sup>(2)</sup> > 65kVA
- Dual stage air filtration
- Oil drain pump<sup>(1)</sup>
- 500hrs Service interval

<sup>(1)</sup> Optional

<sup>(2)</sup> Optional on some models

## NOISE PROTECTION:

- Sound attenuated and C3M anticorrosion protection canopy

## TRANSPORT EFFICIENCY:

- Integrated forklift slots (Galvanized > 180kVA)
- Lifting structure with single external elevation point<sup>(1)</sup>
- Retention bund 110% self containment with level sensor alarm<sup>(1)</sup>

## PERFORMANCE:

- High cooling performance radiator with ParCOOL for 100% standby power operation
- Sound attenuated and anti-corrosion steel enclosure
- Alternator IP23 with optional Auxiliary Winding<sup>(1)</sup>
- Electronic governor engine and electronic engines



## Mechanical options

- Synthetic oil
- Hot parts protection
- Oil sump pump
- Water separator fuel pre-filter <sup>(3)</sup>
- High capacity fuel tank
- Lifting beam with external hook
- Galvanized extra skid
- Spillage free liquid detection sensor
- External fuel connection (EFT) with quick couplings



## Electrical options

- Earth leakage relay
- Sockets panel
- Alternator heater for safe and secure starting
- Communication modules (Ethernet, 3G, GPS, ...) <sup>(4)</sup>
- Battery switch, block coolant heater, battery charger and earth stick
- Expansions modules for inputs and outputs <sup>(4)</sup>
- Remote annunciator and remote display <sup>(4)</sup>
- Automatic fuel transfer system <sup>(4)</sup>
- Auxiliary winding for inrush starting capability
- Qc2212 Advance digital controller for AMF, remote and local start applications
- Qc3003 and Qc3012 Advance digital controllers for parallel

Options available may change depending on model selected. Please consult with your local Atlas Copco customer centre.

# QES range

## Technical data



QES 30-40



QES 60



QES 80-125



QES 180-250



QES 380-450

Electrical data		QES 30	QES 40	QES 60	QES 80	QES 100	QES 125	QES 180	QES 250	QES 380	QES 450
Rated frequency	Hz	50	50	50	50	50	50	50	50	50	50
Exhaust gas emission compliance		/	/	/	/	/	/	/	/	/	/
Rated voltage (1)	V	400	400	400	400	400	400	400	400	400	400
Prime power (PRP)	kVA / kW	32/26	37/30	60/48	90/72	100/80	125/100	180/144	250/200	380/304	450/360
Rated standby power (ESP)	kVA / kW	33/26	45/36	64/51	96/77	112/90	135/108	194/155	272/218	414/331	502/402
Power factor cos φ		0,8	0,8	0,8	0,8	0,8	0,8	0,8	0,8	0,8	0,8
Rated current (PRP)	A	46,2	53,7	86,6	129,9	144,3	180,4	259,0	360,0	548,5	649,5
Performance class acc. ISO-8528/5		G2	G2	G2	G2	G2	G2	G2	G2	G2	G2
Operating temperature (min/ max) (2)	°C	-10/50	-10/50	-10/50	-10/50	-10/50	-10/50	-10/50	-10/50	-10/50	-10/50
Fuel consumption											
Fuel tank capacity (Standard / 24h / 48h)	l	116 / 303 / 604	116 / 303 / 604	104 / 347 / 600	225 / 646 / 1273	225 / 646 / 1273	225 / 646 / 1273	520 / 900	520 / 900	605	605
Fuel consumption at 100% PRP load	l / h	7,3	8,3	13,3	18,9	20,5	25,6	36,5	46,0	76,3	90,6
Fuel autonomy at full load (Standard / 24-48h / 1000l fuel tank)	h	16,0	14,0	7,8	11,9	11,0	8,8	14,3	11,3	7,9	6,7
Control panel											
Model – standard		Qc1112	Qc1112	Qc1112	Qc1112	Qc1112	Qc1112	Qc1112	Qc1112	Qc1112	Qc1112
Battery Charger (Optional)		DSE9150	DSE9150	DSE9255	DSE9255	DSE9255	DSE9255	DSE9255	DSE9255	DSE9255	DSE9255
Engine											
Model		V3300-E2BG	V3800DI-T-E2BG	4BTA3.9-G2	6BT5.9-G2	6BT5.9-G2	6BTA4.9-G2	6CTA8.3-G2	6LTA8.9-G2	TAD1343GE	TAD1345GE
Speed	rpm	1500	1500	1500	1500	1500	1500	1500	1500	1500	1500
Rated net power	kWm	31	34,1	58	86	96	120	158	215	325	388
Aspiration		Natural	Turbo charger	Turbo charger	Turbo charger	Turbo charger	Turbo charger	Turbo charger	Turbo charger	Turbo charger	Turbo charger
Speed control		Electronic governor	Electronic governor	Electronic governor	Electronic governor	Electronic governor	Electronic governor	Electronic governor	Electronic governor	Electronic	Electronic
Number of cylinders		4	4	4	6	6	6	6	6	6	6
Coolant		water-cooled	water-cooled	water-cooled	water-cooled	water-cooled	water-cooled	water-cooled	water-cooled	water-cooled	water-cooled
Swept volume	l	3,3	3,8	3,9	5,9	5,9	5,9	8,3	8,9	12,8	12,8
Alternator											
Model		ACA180E	ACA180G	ACA225D	ACA225G	ACA270B	ACA270C	ACA270F	ACA270J	ACA315F	ACA315H
Rated Output (ESP 163°/27°C / PRP 125°/40°C)	kVA	33/32	45/42.5	63.5/60	95.8/90	112/100	135/125	194/180	275/250	415/380	505/450
Degree of protection / Insulation class		IP23/H	IP23/H	IP23/H	IP23/H	IP23/H	IP23/H	IP23/H	IP23/H	IP23/H	IP23/H
Excitation type / AVR model		Shunt/SX460	Shunt/SX460	Shunt/SX460	Shunt/SX460	Shunt/SX460	Shunt/SX460	Shunt/SX460	Shunt/SX460	Shunt/AS440	Shunt/AS440
Noise level											
Sound power level (LwA)	dB(A)	93	94	94	94	93	93	102	102	104	104
Sound pressure level (LpA) at 7m	dB(A)	67	66	68	68	70	74	73	73	77	77
Dimensions and weight											
Length (standard)	mm	2225	2225	2280	2910	2910	2910	3410	3410	4580	4580
Width (standard)	mm	970	970	980	1120	1120	1120	1250	1250	1500	1500
Height (Standard / 24h / 48h*)	mm	1185 / 1408 / 1741	1185 / 1408 / 1741	1265 / 1583 / 1754	1685 / 2060 / 2235	1685 / 2060 / 2235	1685 / 2060 / 2235	2224 / 2407	2224 / 2407	2105	2105
Weight wet without fuel (Standard / 24h / 48h*)	kg	876 / 1180 / 1300	896 / 1200 / 1300	1175 / 1350 / 1400	1464 / 2000 / 2180	1494 / 2000 / 2180	1538 / 2005 / 2185	2394 / 2537	2924 / 3067	4322	4391
Skid dimensions (L x W x H)	mm	2599 x 960 x 150	2599 x 960 x 150	2594 x 960 x 150	3145 x 1097 x 150	3145 x 1097 x 150	3145 x 1097 x 150	3810 x 1340 x 200	3810 x 1340 x 200	4999 x 1510 x 150	4999 x 1510 x 150
Skid weight	kg	137	137	137	137	166	166	205	205	240	240

(1) Dual frequency models available as an option, please consult. (2) Other voltages available, please consult.

(3) Depending on models, some additional options are available for low temperatures. Derating may apply for high temperature / altitude.

# QES range

## Technical data



QES 500-640



QES 35-50



QES 70



QES 110-140

Electrical data		QES 500	QES 640	QES 35	QES 50	QES 70	QES 110	QES 120	QES 140
Rated frequency	Hz	50	50	60	60	60	60	60	60
Exhaust gas emission compliance		/	/	/	/	/	/	/	/
Rated voltage (1)	V	400	400	220	220	480	480	480	480
Prime power (PRP)	kVA / kW	500/400	637/509	34/27	50/40	70/56	108/87	123/98	144/112
Rated standby power (ESP)	kVA / kW	555/444	705/564	36/29	53/42	78/63	118/94	134/107	153/122
Power factor cos φ		0,8	0,8	0,8	0,8	0,8	0,8	0,8	0,8
Rated current (PRP)	A	721,7	919,0	88,2	127,0	85,9	130,4	147,9	168,7
Performance class acc. ISO-8528/5		G2	G2	G2	G2	G2	G2	G2	G2
Operating temperature (min/ max) (2)	°C	-10/50	-10/50	-10/50	-10/50	-10/50	-10/50	-10/50	-10/50
Fuel consumption									
Fuel tank capacity (Standard / 24h / 48h)	l	980	980	116 / 303 / 604	116 / 303 / 604	104 / 347 / 600	225 / 646 / 1273	225 / 646 / 1273	225 / 646 / 1273
Fuel consumption at 100% PRP load	l / h	127,6	131,1	8,1	12,1	16,3	25,0	25,8	33,3
Fuel autonomy at full load (Standard / 24-48h / 1000l fuel tank)	h	7,7	7,5	14,3	9,6	6,4	9,0	8,7	6,8
Control panel									
Model – standard		Qc1112	Qc1112	Qc1112	Qc1112	Qc1112	Qc1112	Qc1112	Qc1112
Battery Charger (Optional)		DSE9255	DSE9255	DSE9150	DSE9150	DSE9255	DSE9255	DSE9255	DSE9255
Engine									
Model		TAD1641GE	TWD1643GE	V3300-E2BG	V3800DI-T-E2BG	4BTA3.9-G2	6BT5.9-G2	6BT5.9-G2	6BTA5.9-G2
Speed	rpm	1500	1500	1800	1800	1800	1800	1800	1800
Rated net power	kWm	430	536	33,7	48,1	71,8	105,3	122,3	136,4
Aspiration		Turbo charger	Turbo charger	Natural	Turbo charger	Turbo charger	Turbo charger	Turbo charger	Turbo charger
Speed control		Electronic	Electronic	Electronic governor	Electronic governor	Electronic governor	Electronic governor	Electronic governor	Electronic governor
Number of cylinders		6	6	4	4	4	6	6	6
Coolant		water-cooled	water-cooled	water-cooled	water-cooled	water-cooled	water-cooled	water-cooled	water-cooled
Swept volume	l	16,1	16,1	3,3	3,8	3,9	5,9	5,9	5,9
Alternator									
Model		ACA355C	ACA355E	ACA180E	ACA180G	ACA225D	ACA225G	ACA270B	ACA270C
Rated Output (ESP 163°/27°C / PRP 125°/40°C)	kVA	590/550	738/670	40/37.5	53.5/50	81/75	119/103	139/126	162/150
Degree of protection / Insulation class		IP23/H	IP23/H	IP23/H	IP23/H	IP23/H	IP23/H	IP23/H	IP23/H
Excitation type / AVR model		Shunt/AS440	Shunt/AS440	Shunt/SX460	Shunt/SX460	Shunt/SX460	Shunt/SX460	Shunt/SX460	Shunt/SX460
Noise level									
Sound power level (LwA)	dB(A)	104	104	94,3	95,1	96	96	101,3	105,1
Sound pressure level (LpA) at 7m	dB(A)	78	77	69	69	65	73	75	76
Dimensions and weight									
Length (standard)	mm	4590	4590	2225	2225	2280	2910	2910	2910
Width (standard)	mm	1850	1850	970	970	980	1120	1120	1120
Height (Standard / 24h / 48h*)	mm	2401	2401	1185 / 1408 / 1741	1185 / 1408 / 1741	1265 / 1583 / 1754	1685 / 2060 / 2235	1685 / 2060 / 2235	1685 / 2060 / 2235
Weight wet without fuel (Standard / 24h / 48h*)	kg	5868	6341	876 / 1180 / 1300	896 / 1200 / 1300	1175 / 1350 / 1400	1464 / 2000 / 2180	1494 / 2000 / 2180	1538 / 2005 / 2185
Skid dimensions (L x W x H)	mm	5009 x 1860 x 150	5009 x 1860 x 150	2599 x 960 x 150	2599 x 960 x 150	2594 x 960 x 150	3145 x 1097 x 150	3145 x 1097 x 150	3145 x 1097 x 150
Skid weight	kg	362	362	137	137	137	137	166	166

# Product portfolio

## GENERATORS

**PORTABLE**  
1,6–12 kVA



**MOBILE**  
9–1250\* kVA



**INDUSTRIAL**  
10–2250\* kVA




**CONTAINERS**  
800–1450 kVA



\*Multiple configurations available to produce power for any size application

## DEWATERING PUMPS

**ELECTRIC SUBMERSIBLE**  
250–16.200 l/min



**SURFACE PUMPS**  
833–23.300 l/min



**SMALL PORTABLE**  
210–2500 l/min



Diesel and electric options available

## LIGHT TOWERS

**DIESEL LED AND MH**



**BATTERY LED**



**ELECTRIC LED**




## AIR COMPRESSORS AND HANDHELD TOOLS

**AIR COMPRESSORS**  
1–116 m<sup>3</sup>/min  
7–345 bar



**HANDHELD TOOLS**  
Pneumatic  
Hydraulic  
Petrol engine driven



## ONLINE SOLUTIONS


**SHOP ONLINE PARTS ONLINE**

Find and order the spare parts for power equipment. We handle your orders 24 hours a day.



**POWER CONNECT**

Scan the QR code on your machine, and go to the QR Connect Portal to find all the information about your machine.



**LIGHT THE POWER YOUR SIZING TOOL**

A useful calculator to help you choose the best solution for your power and light needs



**FLEETLINK**

Intelligent telematics system that helps optimize fleet usage, reduce maintenance costs, ultimately saving time and cost.




Atlas Copco AB  
atlascopco.com

